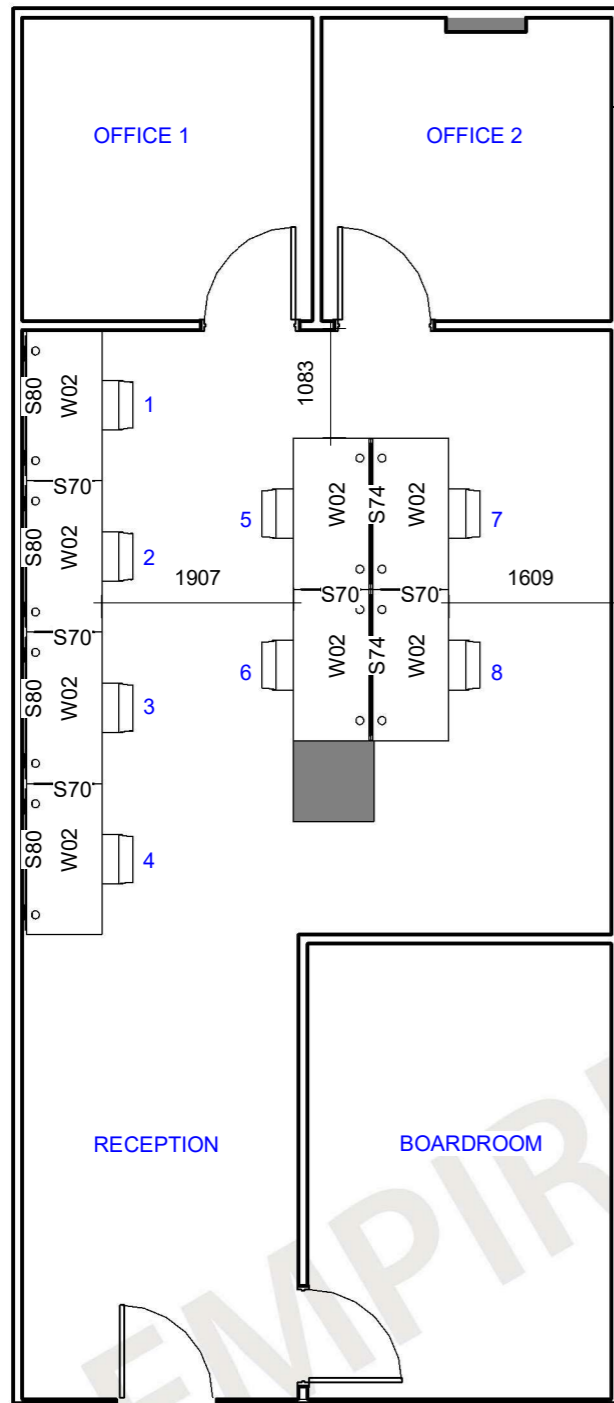


All drawings are the property of Empire Office Furniture (EOF) and only to be used for design, quoting & installation purposes between EOF and client. All furniture items shown on drawings are for pricing purposes only. Furniture selection and dimensions to be verified by EOF and approved by the client after the final site check and before manufacture.



5MM SKIRTING ON ALL WALLS

WORKTOP SCHEDULE			
CODE	DESCRIPTION	FINISH	COUNT
W02	CITI STRAIGHT WORKTOP 1500 x 750	WHITE	8

SCREEN SCHEDULE			
CODE	DESCRIPTION	FINISH	COUNT
S70	ACOUSTICO DESK MOUNT SCREEN 597W x 300H	EMPIRE CHARCOAL	5
S74	ACOUSTICO DESK MOUNT SCREEN 1400W x 300H	EMPIRE CHARCOAL	2
S80	ACOUSTICO DESK HUNG SCREEN 1400W x 597H (310 ABOVE WORKTOP)	EMPIRE CHARCOAL	4

ADDITIONAL ITEMS TO BE PLACED ONSITE:

- 8 X BUILT STRONG DELUXE METAL 3 DRAWER MOBILE PEDESTAL (WHITE)
- 8 X SYNC A-TEAM HIGH BACK MESH CHAIR (BLACK)

1 **INSTALL DRAWING**
1 : 75

INSTALLATION DRAWING APPROVAL - REVISION W

This is to authorise Empire Office Furniture to proceed with site installation as per this drawing. Any variations to this layout may incur additional charges.

Electrical: Empire supply all soft wire componentry required for this project as quoted, It is the client's responsibility to engage the services of a certified electrical contractor for the installation, connection and testing of all starter sockets and leads.

Data: Empire does not provide any data cabling or connectors.

Approved by
Print Name.....
Date.....

SALES ORDER NO: WG-83510

Note : Softwiring cable management not included.

it's easier with **empire** CORPORATE PROJECTS
www.empirefurniture.com.au

Client:
DE MARTINI FLETCHER
INSTALL DRAWING

REV	DESCRIPTION	DATE
W	INSTALL DRAWING	07.09.21

CERTIFICATION
Certification and compliance of appropriate building codes and standards to be confirmed with certifiers by client prior to installation as is not the responsibility of EOF.

Floor Level	SUITE 3, 490 UPPER EDWARD STREET	
LEVEL 4		
Project Reference	WG-DEMART	W 101
Date	07.09.21	
Drawn by	IM	
Checked by	LW/ DN	
Scale		1 : 75